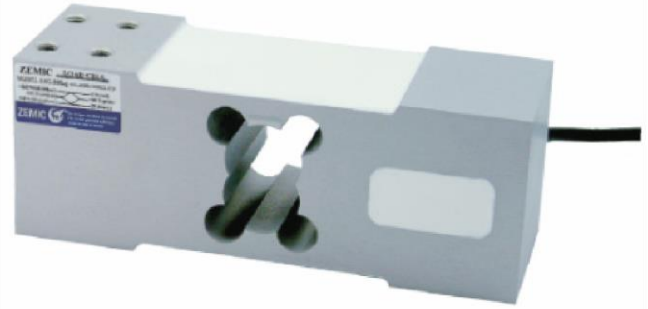


L6G

- Aluminum-alloy IP65 single point load cell
- Colourless anodized
- Suitable for single and double load cells structured platform scales
- Maximum platform size: 50kg-200kg:
600 x 600 mm
- A 1000 Ohm type available (R1) but is excluded from OIML



Features

- Capacities: 50~600kg
- High accuracy
- OIML Cert. No.: R60/2000-CN-00.03
- PTB Approval No.: D09-03.22 Revision 2



OIML test certificate no. D09-03.22 Revision 2
C of C no R60/2000-CN1-00.03revision 1

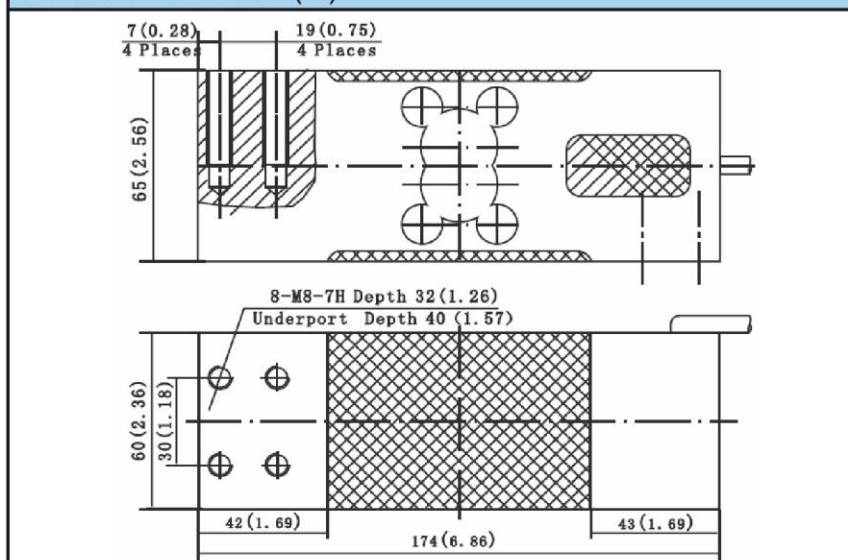
Specifications

Capacity	kg	50/100/150/200/250/300/500/600
Accuracy		C3
Maximum Number of Verification Intervals	Nmax	3000
Minimum Number of Verification Intervals	Vmin	E _{max} /7000
Output Sensitivity	(mV/V)	2.0±0.2
Input Resistance	(Ω)	406±6/1065±15
Output Resistance	(Ω)	350±3/1000±10
Insulation Resistance	(MΩ)	≥5000 (50VDC)
Zero Balance	(%FS)	2
Temperature, Compensated	(°C)	-10~+40
Temperature, Operating	(°C)	-35~+65
Excitation, Recommended	(V)	5~12 (DC)
Excitation, Max	(V)	18 (DC)
Safe Overload	(%FS)	120
Ultimate Overload	(%FS)	150

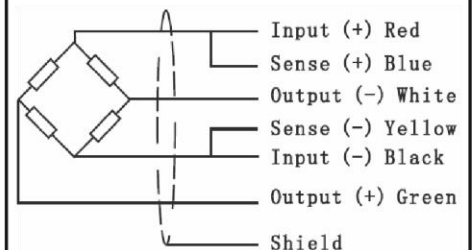
Cross Reference

Manufacturer	Model
Revere	372
Celtron	LOC
Transcell	FAV

Dimensions in mm (in)



Wiring



- Shielded, 6 conductor cable
- Cable diameter: 0.23in
- Standard cable length: 3m
- Shield not connected to element
- Cable jacket in PVC

C A M B R I D G E

ZEMIC **LOAD CELLS**

<u>MODEL</u>	<u>DESCRIPTION</u>	<u>CAPACITY</u>	<u>LIST</u>
L6G-XX- 3G6	SINGLE POINT LOAD CELL	50 KG	\$ 240.
		100 KG	\$ 240.
		150 KG	\$ 240.
		250 KG	\$ 240.
		300 KG	\$ 240.
		500 KG	\$ 240.
		600 KG	\$ 240.

INTERCHANGE WITH:

**CELTRON TECHNOLOGY MODEL: LOC-A
CN CELLS: PA6342**

F.O.B.: HONEY BROOK, PA

PRICES EFFECTIVE: 01/01/18

PRICES SUBJECT TO CHANGE WITHOUT NOTICE