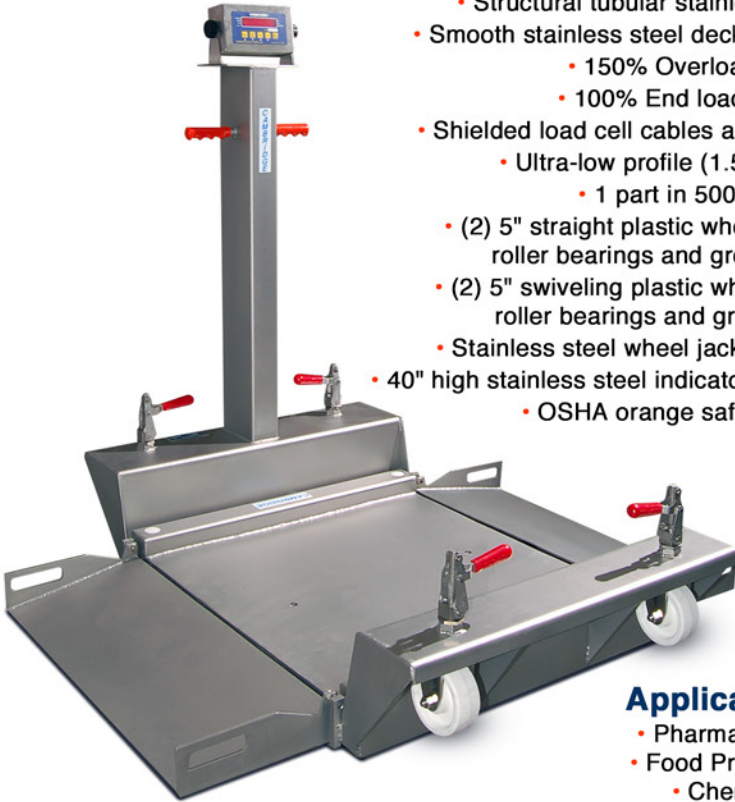


C A M B R I D G E

MODEL SS680-P2 STAINLESS STEEL PORTABLE SCALE

Standard Features:

- Two 12", folding, easy incline, side loading ramps.
- (4) Internally mounted, IP 67 water resistant rated stainless steel load cells.
- Column mounted stainless steel NEMA 4X junction box for convenient corner adjustments.
 - Structural tubular stainless steel construction.
- Smooth stainless steel deck plate with eye bolt holes.
 - 150% Overload protection
 - 100% End loading capacity.
- Shielded load cell cables and 10 foot indicator cable.
 - Ultra-low profile (1.5" above the floor).
 - 1 part in 5000 accuracy.
- (2) 5" straight plastic wheels with stainless steel roller bearings and grease fittings (front).
- (2) 5" swiveling plastic wheels with stainless steel roller bearings and grease fittings (rear).
- Stainless steel wheel jacks to lift and lower scale.
- 40" high stainless steel indicator column with mounting plate.
 - OSHA orange safety handle grips.



Applications:

- Pharmaceutical
- Food Processing
- Chemical

Designed for easy use: Lift, Lock, Transport.



5" plastic wheels with stainless steel roller bearings and grease fittings lock firmly in the up or down position. This allows the SS680-P2 to be easily maneuvered to any location needed and ensures a solid, stable platform when weighing.

Approvals:

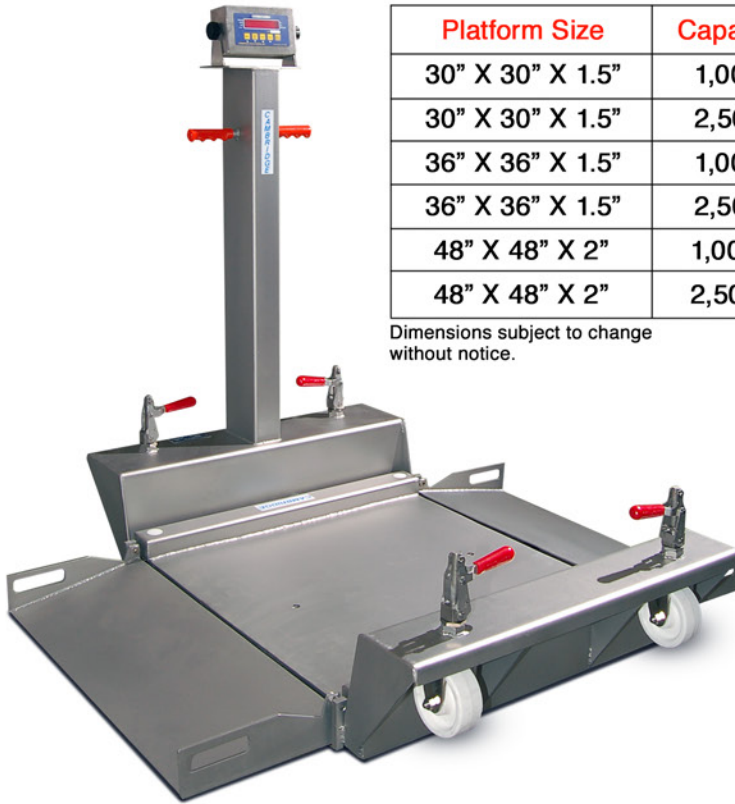


Members:

- THE NATIONAL CONFERENCE ON WEIGHTS AND MEASURES

CAMBRIDGE

MODEL SS680-P2 STAINLESS STEEL PORTABLE SCALE



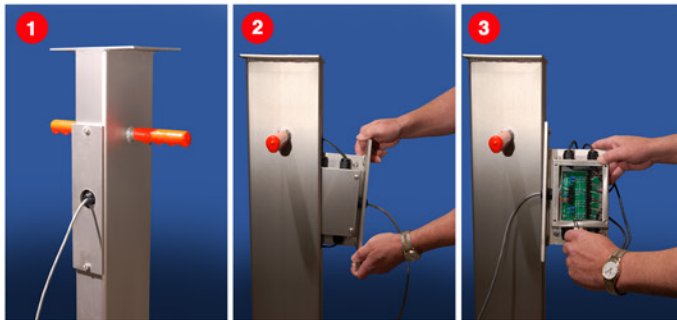
Platform Size	Capacity & Graduation	Approx. Ship Weight
30" X 30" X 1.5"	1,000 lbs. X .2 lbs.	405 lbs.
30" X 30" X 1.5"	2,500 lbs. X .5 lbs.	405 lbs.
36" X 36" X 1.5"	1,000 lbs. X .2 lbs.	460 lbs.
36" X 36" X 1.5"	2,500 lbs. X .5 lbs.	460 lbs.
48" X 48" X 2"	1,000 lbs. X .2 lbs.	580 lbs.
48" X 48" X 2"	2,500 lbs. X .5 lbs.	580 lbs.

Dimensions subject to change without notice.

Model SS680-P2 Options:

- Stainless steel diamond deck plate with eye bolt holes.
- Type 316 stainless steel construction.
- Locking 5" plastic wheels with roller bearings.
- Stainless steel indicator mounting plate with 360° swivel.
- Hermetically sealed stainless steel and/or "FM" approved load cells.
- "FM" approved stainless steel Nema 4X junction box.

View of junction box access



The column mounted stainless steel NEMA 4X junction box allows for quick and easy access. The junction box is mounted to the access panel giving the technician a simple and convenient way to make any necessary corner adjustments.

Distributed By:



- Cambridge Scale Works, Inc. offers a full line of quality, made in America indicators which are designed to perfectly interface with our full line of scales. Be sure to request a genuine Cambridge indicator when ordering your scale.

Cambridge Scale Works, Inc. will warrant this product for one full year against defects in material and/or workmanship.

Cambridge Scale Works, Inc. • P O Box 670 • Honey Brook, PA 19344
(800) 292-7640 • (610) 273-7040 • www.cambridgescale.com

© 2012 Cambridge Scale Works, Inc 12/2014