

# B6N

- Stainless steel IP67 single point load cell
- Bending beam
- Suitable for weighing equipment like platform and belt scales
- Maximum platform size: 400x400mm



## Features

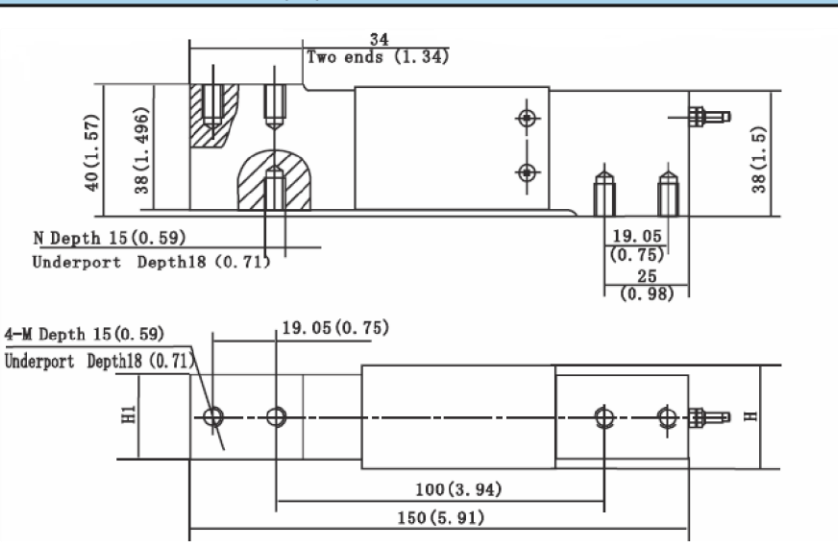
- Capacities: 15kg~200kg
- High accuracy
- Low profile and easy installation
- OIML Cert. No.: R60/2000-NL1-11.27



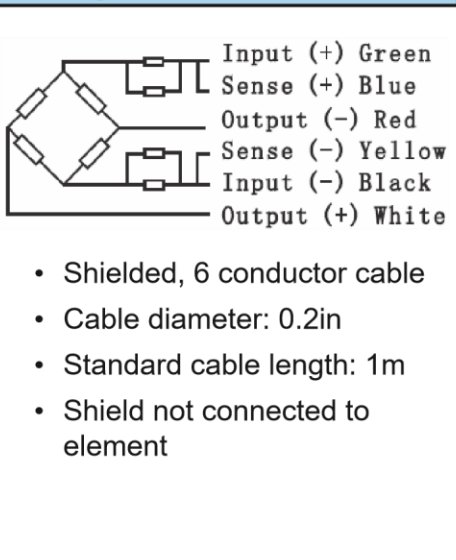
OIML test certificate no. TC8009 Revision 0 and D09-10.10 C of C no R60/2000-NL1-11.27 and R60/2000-DE1-10.04

Specifications		
Capacity	kg	15/20/30/50/75/100/150/200
Accuracy		C3
Maximum Number of Verification Intervals	Nmax	3000
Minimum Number of Verification Intervals	Vmin	Emax/10000
Output Sensitivity	(mV/V)	2.0±0.002
Input Resistance	(Ω)	384±4
Output Resistance	(Ω)	351±2.0
Insulation Resistance	(MΩ)	≥5000 (50VDC)
Zero Balance	(%FS)	1.5
Temperature, Compensated	(°C)	-10~+40
Temperature, Operating	(°C)	-35~+70
Excitation, Recommended	(V)	5~12 (DC)
Excitation, Max	(V)	18 (DC)
Safe Overload	(%FS)	150
Ultimate Overload	(%FS)	300

## Dimensions in mm (in)



## Wiring



# **C A M B R I D G E**

## **ZEMIC** **LOAD CELLS**

<b><u>MODEL</u></b>	<b><u>DESCRIPTION</u></b>	<b><u>CAPACITY</u></b>	<b><u>LIST</u></b>
<b>B6N-XX- 1 B</b>	<b>STAINLESS STEEL SINGLE POINT</b>	<b>15 KG</b>	<b>\$ 350.</b>
	<b>SMALL ENVELOPE LOAD CELL</b>	<b>20 KG</b>	<b>\$ 350.</b>
	<b>IP 67 RATED</b>	<b>30 KG</b>	<b>\$ 350.</b>
		<b>50 KG</b>	<b>\$ 350.</b>
		<b>75 KG</b>	<b>\$ 350.</b>
		<b>100 KG</b>	<b>\$ 350.</b>
		<b>150 KG</b>	<b>\$ 350.</b>
		<b>200 KG</b>	<b>\$ 350.</b>

### **INTERCHANGE WITH:**

**TEDEA HUNTLEIGH MODEL: 1042**  
**FLINTEC MODEL: PC-1**

**F.O.B.: HONEY BROOK, PA**

**PRICES EFFECTIVE: 01/01/17**

**PRICES SUBJECT TO CHANGE WITHOUT NOTICE**