

BCA



NTEP APPROVED

Single Point Load Cell

- Available in 5 kg (10 lb) up to 100 kg (200 lb) Versions
- Aluminum alloy construction
- Compatible with Other Sources.

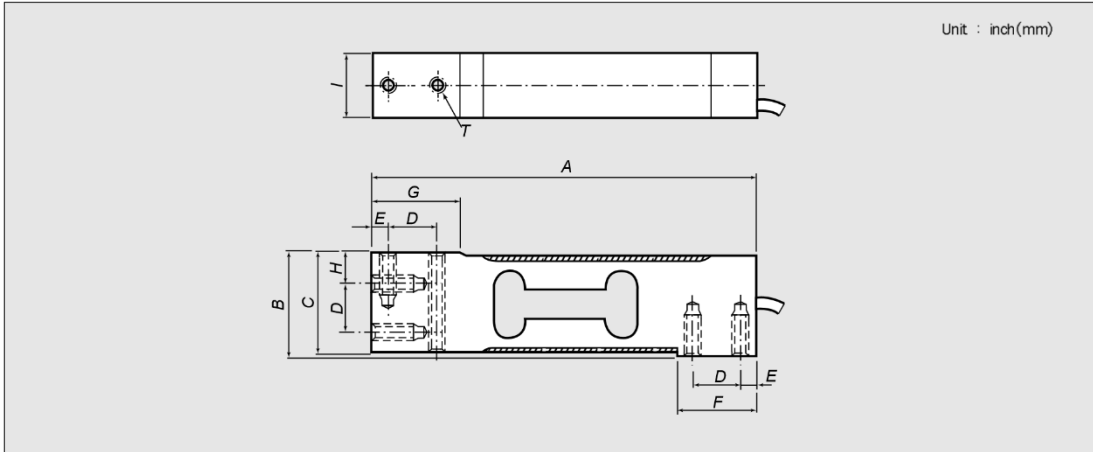


APPLICATION

- Bench scales
- Counting scales
- Check weighing systems

BCA Single Point Load Cell

DIMENSIONS



CAPACITY	A	B	C	D	E	F	G	H	I	T
5 kgf - 100 kgf	5.91 (150)	1.57 (40)	1.52 (38.5)	0.748 (19)	0.24 (6)	1.22 (31)	1.34 (34)	0.47 (12)	0.98 (25)	1/4 20UNC 2B

SPECIFICATIONS

Rated Load(R.L.)	5 kgf, 10 kgf, 15 kgf, 20 kgf, 30 kgf, 50 kgf, 75 kgf, 100 kgf
Rated Output (R.O.)	2 mV/V \pm 10 %
Accuracy Class	III
Combined Error	$<$ 0.02% R.O.
Repeatability	$<$ 0.01% R.O.
Creep (for 30min) / -10 C to +40 C	$<$ 0.017% R.O.
Temperature Effect on Zero Value / 10 C	$<$ 0.014% R.O.
Temperature Effect on Output Value / 10 C	$<$ 0.011% R.O.
Recommended Excitation	DC 10 V
Maximum Excitation	DC 15 V
Zero Balance	\pm 5% R.O.
Input Resistance	400 \pm 20 Ω
Output Resistance	350 3.5 Ω
Insulation Resistance	2000 M
Cable	10 ft / 3.3 m 4 or 6 conductor with shield
Compensated Temperature Range	10 C to +40 C
Safe Operating Range	20 C to +70 C
Safe Overload	150% Rated Capacity
Protection Class	IP 65

ORDERING INFORMATION

CAPACITY	MODEL NO.
5 kgf	BCA A - 5L -
10 kgf	BCA 10 LA
15 kgf	BCA 15 LA
20 kgf	BCA 20 LA
30 kgf	BCA 30 LA
50 kgf	BCA 50 LA
75 kgf	BCA 75 LA
100 kgf	BCA 100 LA

CABLE COLOR CODE

Red	+ Excitation
Black	- Excitation
Green	+ Signal
White	- Signal
Blue	+ Remote sense
Brown	- Remote sense
Clear	Shield



CAS USA Corporation

NJ OFFICE

99 Murray Hill Parkway
East Rutherford, NJ 07073
Tel:(201) 933-9002
Fax:(201) 933-9025

CA OFFICE

733 S. State College Blvd#98
Fullerton, CA 92831
Tel:(714) 870-1286
Fax:(714) 870-1167

<http://www.casusa.com>



Specifications are subject to change for improvement without prior notice.

2001. 7

C A M B R I D G E

CAS **LOAD CELLS**

<u>MODEL</u>	<u>DESCRIPTION</u>	<u>CAPACITY</u>	<u>LIST</u>
BCA	SMALL ENVELOPE SINGLE POINT LOAD CELL	5 KG	\$ 150.
		10 KG	\$ 150.
		15 KG	\$ 150.
		20 KG	\$ 150.
		30 KG	\$ 150.
		50 KG	\$ 150.
		75 KG	\$ 150.
		100 KG	\$ 150.

INTERCHANGE WITH:

TEDEA HUNTLEIGH MODEL: 1040
REVERE TRANSDUCERS MODEL: 642
CELTRON TECHNOLOGY MODEL: LOC (SE)
CN CELLS MODEL: PA6340
ZEMIC MODEL: L6N

F.O.B.: HONEY BROOK, PA

PRICES EFFECTIVE: 01/01/17

PRICES SUBJECT TO CHANGE WITHOUT NOTICE