



- **Recommended maximum platform size:**
750mmx750mm

STANDARD CAPACITY :

100,150,200,250,300,500,635,1000 kg

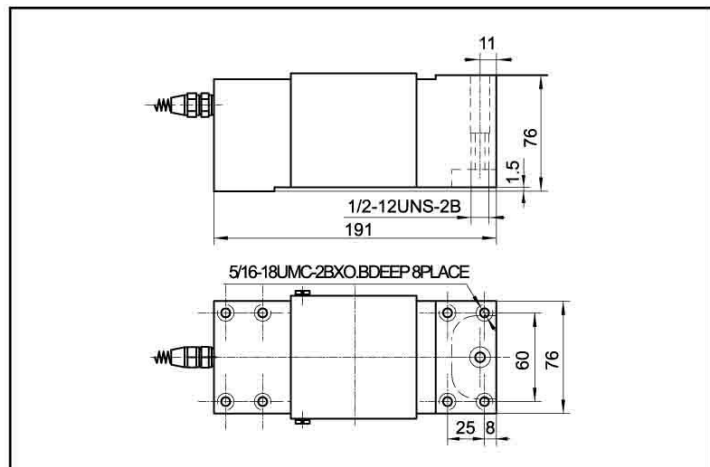
WIRING:

RED +INPUT GREEN +OUTPUT
 BLACK -INPUT WHITE -OUTPUT
 4 COLOR SHIELD CABLE 8FT(2.5m)

● **Specifications**

Rated output	2.0mV/V ± 10%
Accuracy class	0.03 C3
Non-linearity	0.03% F·S
Hysteresis	0.03% F·S
Non-repeatability	0.02% F·S
Creep in 30 minutes	0.03% F·S
Temperature effect span	15 PPM /°C of Applied Load
Temperature effect zero	26 PPM /°C of Applied Load
Compensated temperature range	-10°C~40°C
Operating temperature range	-40°C~65°C
Zero balance	± 1% F·S
Input resistance	400 ± 15Ω
Output resistance	350 ± 3Ω
Safe overload	150%F·S
Ultimate overload	300%F·S
Excitation voltage	10VAC/DC
Maximum excitation voltage	15VAC/DC
Insulation resistance	≥5000MΩ(50V DC)
Environmental protection	IP67
Material	Aluminum

※All specifications are a maximum as a%(±) of full load, otherwise stated.



C A M B R I D G E

CN CELLS **LOAD CELLS**

<u>MODEL</u>	<u>DESCRIPTION</u>	<u>CAPACITY</u>	<u>LIST</u>
PA6341	LARGE ENVELOPE SINGLE POINT LOAD CELL	100 KG	\$ 250.
		150 KG	\$ 250.
		200 KG	\$ 250.
		250 KG	\$ 250.
		300 KG	\$ 250.
		500 KG	\$ 250.
		635 KG	\$ 250.
		1,000 KG	\$ 250.

INTERCHANGE WITH:

TEDEA HUNTLEIGH MODEL: 1250
REVERE TRANSDUCERS MODEL: 652
CAS MODEL: BCM
SENSORTRONICS MODEL: 60060
CELTRON MODEL: LOC-ALE

F.O.B.: HONEY BROOK, PA

PRICES EFFECTIVE: 01/01/17

PRICES SUBJECT TO CHANGE WITHOUT NOTICE