



● **Recommended maximum platform size:**

PA6340:300mmx300mm

PA6340A:500mmx700mm

STANDARD CAPACITY :

5, 10, 15, 20, 30, 50, 100, 150, 200 lb

5, 10, 15, 20, 25, 30, 50, 60, 100, 200 kg

WIRING:

RED +INPUT GREEN +OUTPUT

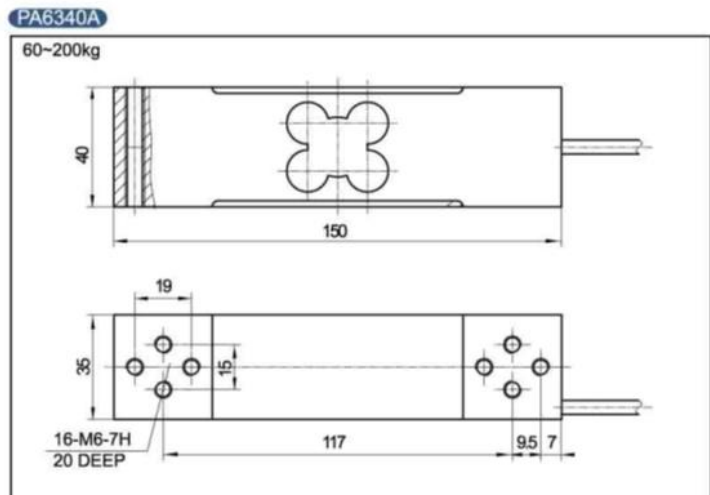
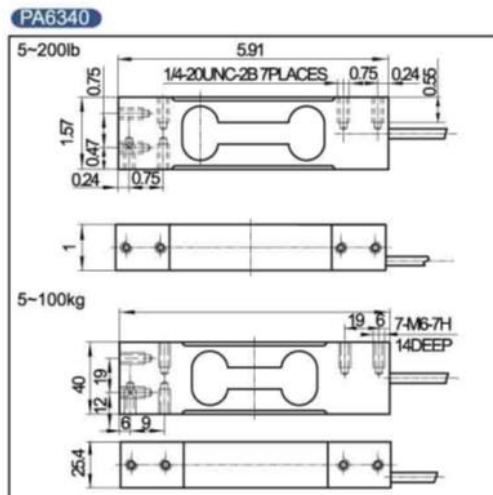
BLACK -INPUT WHITE -OUTPUT

4 COLOR SHIELD CABLE 5FT(1.5m)

● **Specifications**

Rated output	2.0mV/V ± 10%
Accuracy class	0.03 C3
Non-linearity	0.03% F-S
Hysteresis	0.03% F-S
Non-repeatability	0.02% F-S
Creep in 30 minutes	0.03% F-S
Temperature effect span	15 PPM /°C of Applied Load
Temperature effect zero	26 PPM /°C of Applied Load
Compensated temperature range	-10°C~40°C
Operating temperature range	-40°C~65°C
Zero balance	± 1% F-S
Input resistance	400 ± 15Ω
Output resistance	350 ± 3Ω
Safe overload	150%F-S
Ultimate overload	300%F-S
Excitation voltage	10VAC/DC
Maximum excitation voltage	15VAC/DC
Insulation resistance	≥5000MΩ(50V DC)
Environmental protection	IP67
Material	Aluminum

※All specifications are a maximum as a%(±) of full load, otherwise stated.



C A M B R I D G E

CN CELLS **LOAD CELLS**

<u>MODEL</u>	<u>DESCRIPTION</u>	<u>CAPACITY</u>	<u>LIST</u>
PA6340	SMALL ENVELOPE SINGLE POINT LOAD CELL	5 LB	\$ 140.
		10 LB	\$ 140.
		15 LB	\$ 140.
		20 LB	\$ 140.
		30 LB	\$ 140.
		50 LB	\$ 140.
		100 LB	\$ 140.
		200 LB	\$ 140.

INTERCHANGE WITH:

TEDEA HUNTLEIGH MODEL: 1040
REVERE TRANSDUCERS MODEL: 642
CAS MODEL: BCA
CELTRON TECHNOLOGY MODEL: LOC-ASE

F.O.B.: HONEY BROOK, PA

PRICES EFFECTIVE: 01/01/17

PRICES SUBJECT TO CHANGE WITHOUT NOTICE