



STANDARD CAPACITY :

5,10,25,50,100,150,200,250,500,750 lb
 1,1.5,2,2.5,3,5,10,15,20 klb
 2.5,5,15,25,50,70,100,150,250,300 kg
 0.5,0.7,1,1.5,2,2.5,5,7,10,20 t

WIRING:

RED +INPUT GREEN +OUTPUT
 BLACK -INPUT WHITE -OUTPUT
 4 COLOR SHIELD CABLE 20FT(6m)

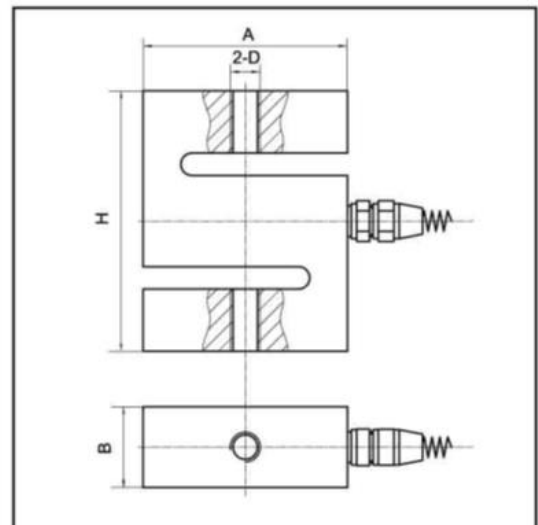
● Specifications

Rated output	2.95~3.05mV/V
Accuracy class	0.03 0.05 C3
Non-linearity	0.03%F·S
Hysteresis	0.03%(PA6110) 0.05%(PA6210)
Non-repeatability	0.02%F·S
Creep in 30 minutes	0.03%F·S
Temperature effect span	15 PPM /°C of Applied Load
Temperature effect zero	26 PPM /°C of Applied Load
Compensated temperature range	-10°C~40°C
Operating temperature range	-40°C~65°C
Zero balance	± 1%F·S
Input resistance	385 ± 15Ω
Output resistance	350 ± 3Ω
Safe overload	150%F·S
Ultimate overload	300%F·S
Excitation voltage	10VAC/DC
Maximum excitation voltage	15VAC/DC
Insulation resistance	≥ 5000MΩ (50V DC)
Environmental protection	IP67
Material	Alloy tool steel(PA6110) Stainless steel(PA6210)

※All specifications are a maximum as a%(±) of full load, otherwise stated.

(inch/mm)

Capacity	A	B	H	D
50~50lb	2.00	0.50	2.50	1/4-28UNF-2B
100~200lb	2.00	0.50	3.00	1/4-28UNF-2B
250lb	2.00	0.75	3.00	3/8-24UNF-2B
500~1500lb	2.00	0.75	3.00	1/2-20UNF-2B
2~3klb	2.00	1.00	3.00	1/2-20UNF-2B
5~10klb	3.00	1.00	4.25	3/4-16UNF-2B
15klb	4.00	1.25	5.50	1-14UNF-2B
20klb	5.00	2.00	7.00	1¼-12UNF-2B
2.5~25kg	51	12	63	M6
50~70kg	51	12	75	M6
100~700kg	51	19	75	M12
1~1.5t	51	25	75	M12
2~5t	76	25	108	M20X1.5
7t	102	32	140	M20X1.5
10t	127	50	178	M30X2
20t	160	60	190	M36X3



C A M B R I D G E

CN CELLS **LOAD CELLS**

<u>MODEL</u>	<u>DESCRIPTION</u>	<u>CAPACITY</u>	<u>LIST</u>
PA6110	“S” TYPE LOAD CELL NTEP	150 LB.	\$ 230.
		200 LB.	\$ 230.
		250 LB.	\$ 230.
		500 LB.	\$ 230.
		750 LB.	\$ 230.
		1,000 LB.	\$ 230.
		1,500 LB.	\$ 230.
		2,000 LB.	\$ 250.
		2,500 LB.	\$ 250.
		3,000 LB.	\$ 250.
		5,000 LB.	\$ 390.
		10,000 LB.	\$ 390.
		15,000 LB.	\$ 520.
20,000 LB.	\$ 790.		

F.O.B.: HONEY BROOK, PA

PRICES EFFECTIVE: 01/01/18

PRICES SUBJECT TO CHANGE WITHOUT NOTICE

C A M B R I D G E

CN CELLS **LOAD CELLS**

<u>MODEL</u>	<u>DESCRIPTION</u>	<u>CAPACITY</u>	<u>LIST</u>
PA6210	STAINLESS STEEL "S" TYPE LOAD CELL NTEP	150 LB.	\$ 290.
		200 LB.	\$ 290.
		250 LB.	\$ 290.
		500 LB.	\$ 290.
		750 LB.	\$ 290.
		1,000 LB.	\$ 290.
		1,500 LB.	\$ 290.
		2,000 LB.	\$ 350.
		2,500 LB.	\$ 350.
		3,000 LB.	\$ 350.
		5,000 LB.	\$ 550.
		10,000 LB.	\$ 590.
		15,000 LB.	\$ 990.
20,000 LB.	\$ 1,390.		

F.O.B.: HONEY BROOK, PA

PRICES EFFECTIVE: 01/01/18

PRICES SUBJECT TO CHANGE WITHOUT NOTICE